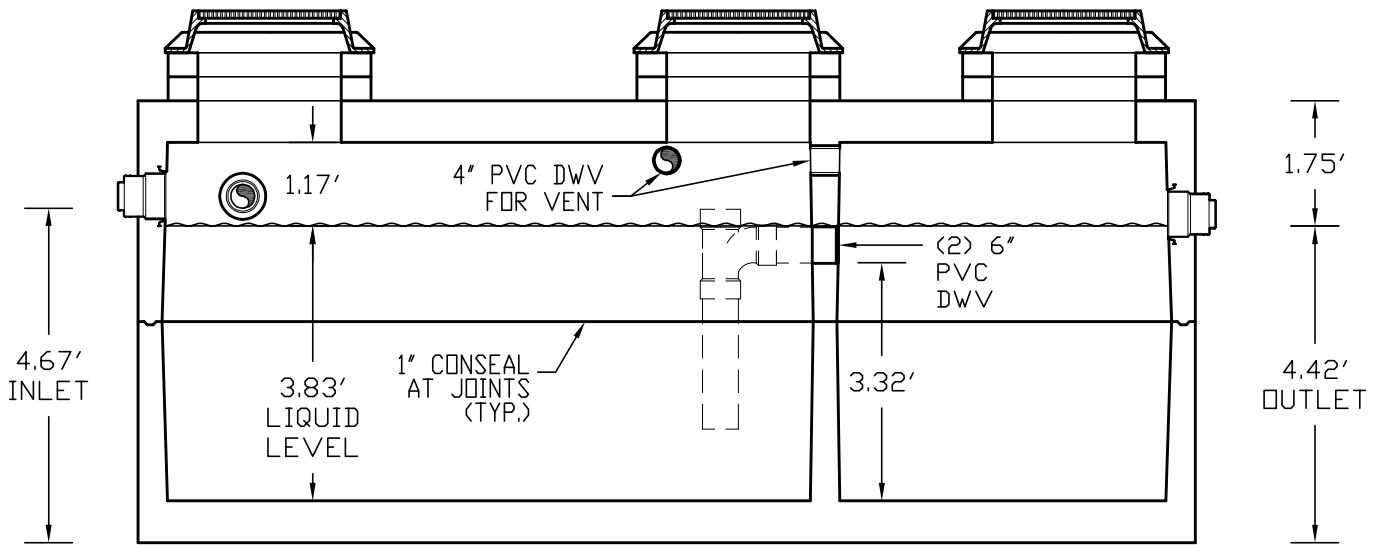




PLAN VIEW



SECTION VIEW

2500 GAL HS20 TRAFFIC RATED

1 OF 3

DATE DRN	6/2 2015	SCALE	NTS	DRN BY	MAP	CIVIL ENGINEER'S STAMP		STRUCTURAL ENGINEER'S STAMP	
DATE STAMPED									
DRAWING	SAND/OIL SEPERATOR 2500 GALLON / HS20-44 TRAFFIC RATED								



2500 GAL HS20 TRAFFIC RATED TANK NOTES:

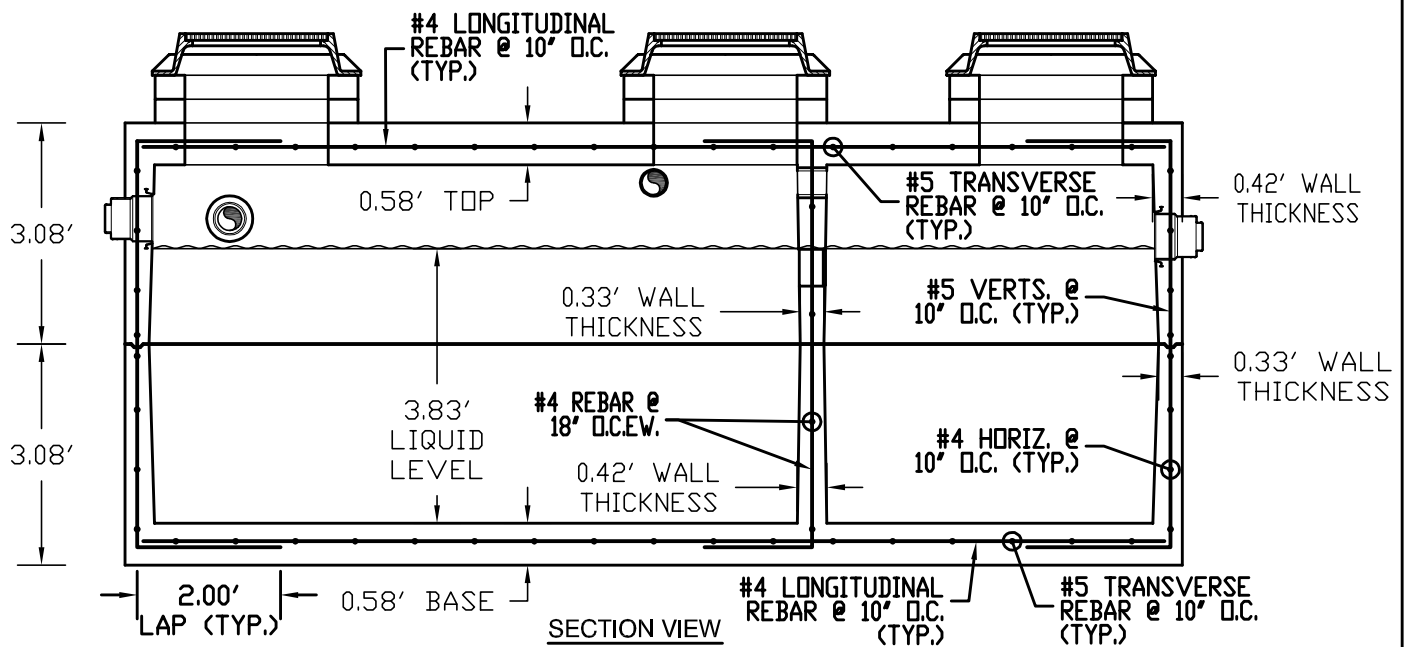
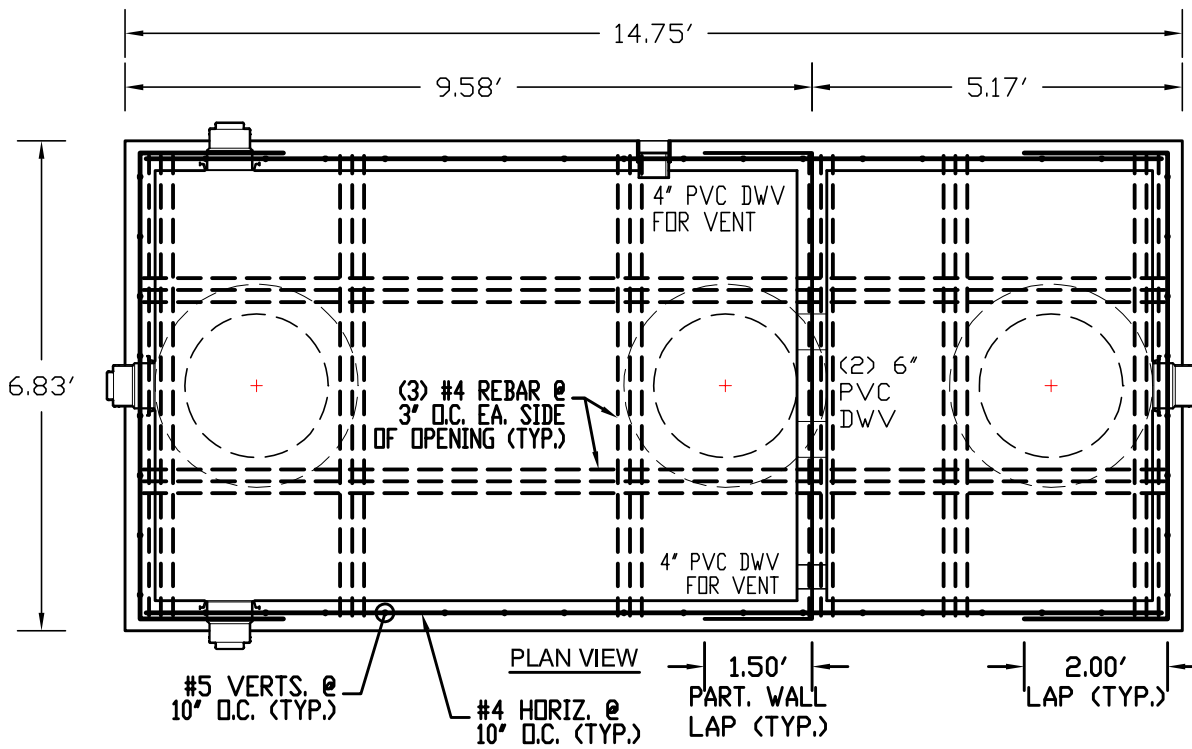
- CONCRETE IS 5000 PSI @ 28 DAYS.
- CEMENT IS TYPE V (SULFATE RESISTANT).
- REINFORCEMENT: AS PER ENGINEER REQ.
- TANK WEIGHT IS APPROXIMATELY 30,500 LBS.
- TANK HEIGHT FROM BOTTOM TANK TO TOP OF SLAB IS 6.17'.
- POLY-LOK 4"-6", Z-LOK, A-LOK, AND/OR G3 GASKETS ON INLETS AND OUTLET.
- INLET HEIGHT FROM BOTTOM OF TANK TO INVERT IS 4.67'.
- OUTLET HEIGHT FROM BOTTOM OF TANK TO INVERT IS 4.42'
- (3) 24" DIAMETER ACCESS OPENINGS WITH APPROVED CAST IRON FRAME AND COVER.
- CONCRETE GRADE RINGS PROVIDED FOR HEIGHT ADJUSTMENT.
- TOP AND BOTTOM PLACED WITH 1" CONSEAL AT EACH JOINT.
- THIS TANK MUST BE PLACED ON COMPACTED 3/4" ROAD-BASE OR SIMILAR MATERIAL.
- MINIMUM RELATIVE COMPACTION IS 95%.
- DO NOT USE FLOWABLE BACKFILL MATERIALS SUCH AS 3/4" WASHED GRAVELS.
- TANK MUST BE BACKFILLED TO TOP BEFORE WATERTESTING.
- ALL LIFTING EYES IN EACH SECTION MUST BE USED.
- MINIMUM BURY DEPTH 1'-0". MAXIMUM BURY DEPTH 6'-0".
- PLUMBING PER ENGINEER AND SUPPLIED AND INSTALLED BY CONTRACTOR.

AVAILABLE UPON REQUEST:

- REINFORCEMENT CERTS.
- CEMENT CERTS.
- AGGRIGATES CERTS.
- ADMIXTURES CERTS.
- CONCRETE TESTING
- MIX DESIGN

BUILT TO:

- **ASTM C-858-10**
- **ASTM C-890-13**



ALL REINFORCEMENT TO BE CENTERED IN SLAB AND WALL